

Exceptional imaging and orthopedic positioning flexibility

Amsco® OrthoVision®
Orthopedic Table



We asked orthopedic surgeons across the country what they needed in an orthopedic surgical table. The answer was consistent... **“exceptional imaging capability combined with positioning flexibility.”** The OrthoVision table design incorporates those features with the already proven durability and reliability of our other surgical tables.

Exceptional imaging capability

- Radiolucent abductor bars mean unobstructed views of crucial patient anatomy
- Radiolucent sacral rest and perineal post for uncompromised positioning and imaging
- Excellent C-arm interface for lower limbs because the table base is completely out of the way

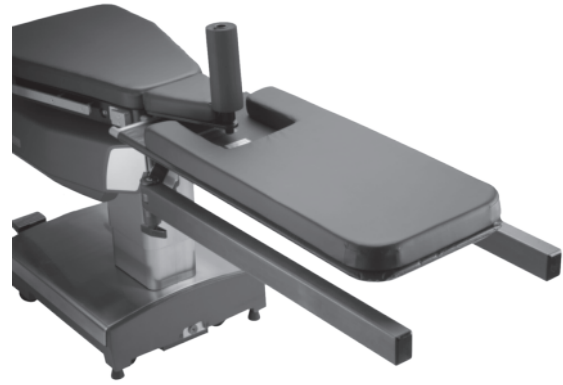
Designed for Maximum Procedural Flexibility

- Easy-to-manuever, lightweight abductor bars
- Easy patient transfer and positioning
- Simple-to-use numbered and lettered positioning locks
- Accommodates supine and lateral positions
- Facilitates skeletal or boot traction procedures including hip pinning, Intramedullary (IM) nailing, and tibia/fibula surgery



Flexible Positioning:

The Tensor™ Carbon Fiber Traction Unit provides precise, smooth adjustment to the amount of traction being pulled. The tensiometer gives a visual indication of the traction being applied (up to 60 pounds of force). Attaching a traction boot, a traction bow-block or a skeletal block is easy with the quick-connect style coupler, maximizing your ability to position the patient.



Patient Safety:

Patients weighing up to 400 lb. (181 kg) can be postured on the OrthoVision table. STERIS offers additional accessories such as the Patient Transfer Board (*shown above*), larger obese traction boots and the T-shaped sacral rest, which offers greater width than the standard wedge-shaped sacral rest. For smaller patients, we offer a pediatric-sized sacral rest, perineal post and traction boots.



Customize your OrthoVision table with these and other accessories

- Carbon Fiber Wedge-shaped Sacral Rest with pad (BF00066)
- Carbon Fiber T-shaped Sacral Rest with pad (BF00073) (*not shown*)
- Carbon Fiber Hip Rest with pad (BF00072) (*not shown*)
- Carbon Fiber Tibia/Lateral Countertraction Device (BF00062) (*not shown*)
- Perineal Post with pad (BF00065)
- Tensor™ Carbon Fiber Traction Unit Assembly with boot (BF72)
- L-shaped Traction Extension (BF0003)
- Straight Traction Extension (BF286) (*not shown*)
- Traction Bow/Block (BF724) (*not shown*)
- Traction Block, Skeletal (BF725) (*not shown*)
- Traction Accessory Clamp (BF0002)
- Anesthesia Armboard with 2" pad (BF803)
- Multi-Posture Armboard with 2" pad (BF432)
- Clark Socket (BF083)
- Universal Legholder (BF266)
- Patient transfer board with 4" pad (BF213) (*shown above*)

Mixed Sources

Product group from well-managed forests, controlled sources and recycled wood or fiber

